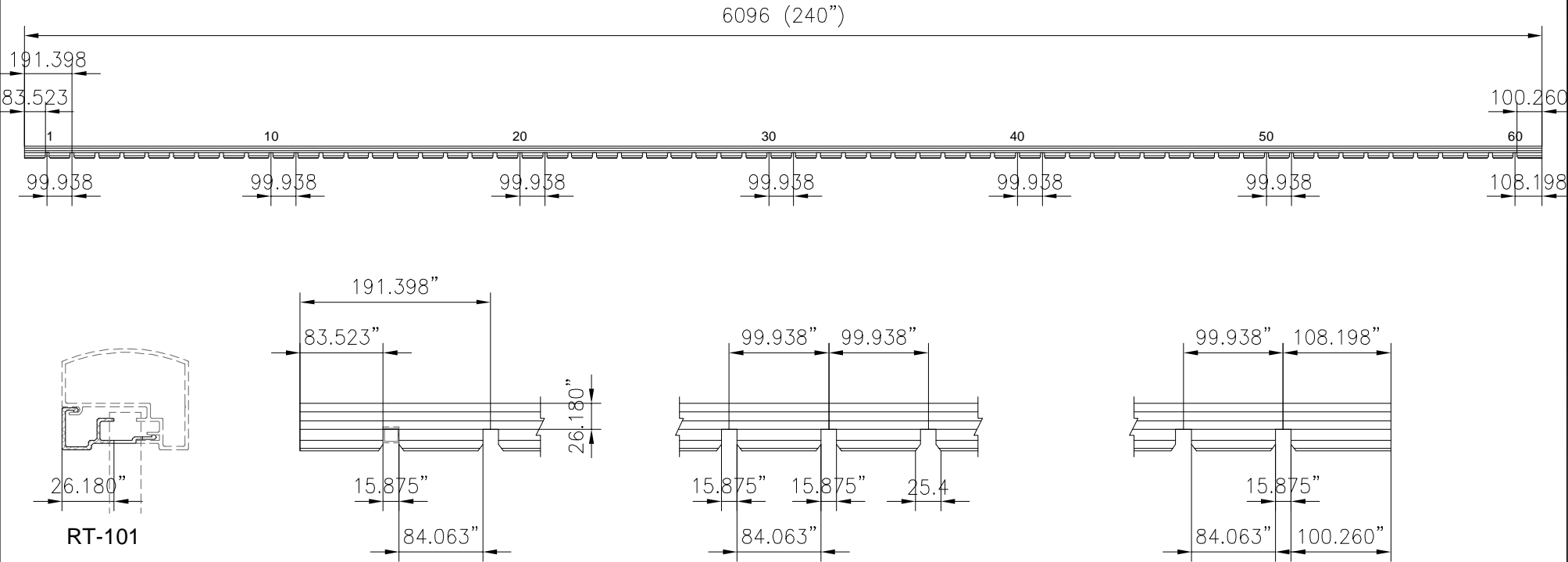


File: East West\S.T.A.R\System\2019\SS Rail Punch\Star Picket Spacing.Dwg



Project:

Title: **RT-101 Hole Punch Detail  
For 99.938 C/C Picket Opening**

Drawing No. **SK1**

Drawn By: **KK**

Checked By:

Scale: **1/2"=1'-0"**

Date: **July 28, 2020**

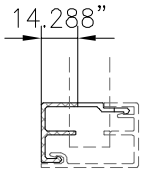
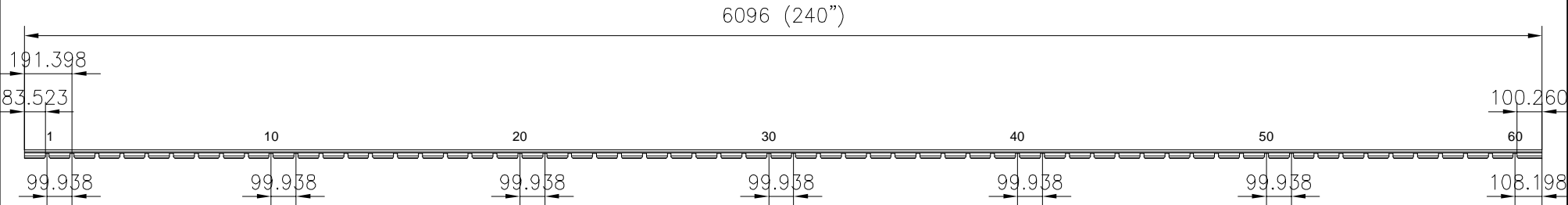
Revision:

Seal

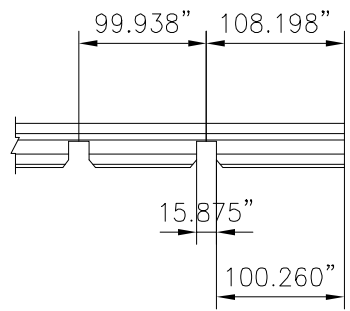
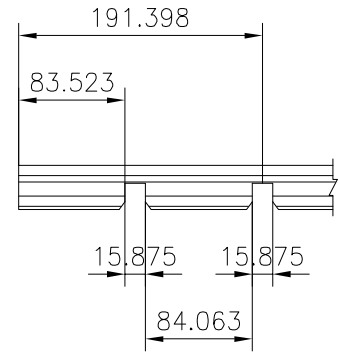
**S.T.A.R. SYSTEM INTERNATIONAL LTD.**  
ALUMINUM RAILING & FENCING

TEL: (604) 438-6261 FAX: (604) 438-4021 WEB SITE: www.starrail.com

File: East West\S.T.A.R\System\2019\SS Rail Punch\Star Picket Spacing.Dwg



RB-101



Project:

Title: **RB-101 Hole Punch Detail  
For 99.938 C/C Picket Opening**

Drawing No. **SK2**

Drawn By: **KK**

Checked By:

Scale: **1/2"=1'-0"**

Date: **July 28, 2020**

Revision:

Seal

**S.T.A.R. SYSTEM INTERNATIONAL LTD.**  
ALUMINUM RAILING & FENCING



TEL: (604) 438-6261 FAX: (604) 438-4021 WEB SITE: [www.starrail.com](http://www.starrail.com)