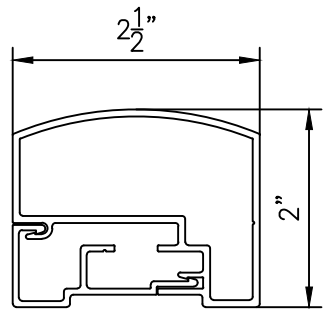
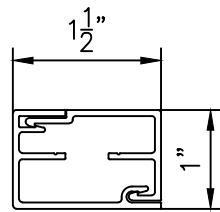


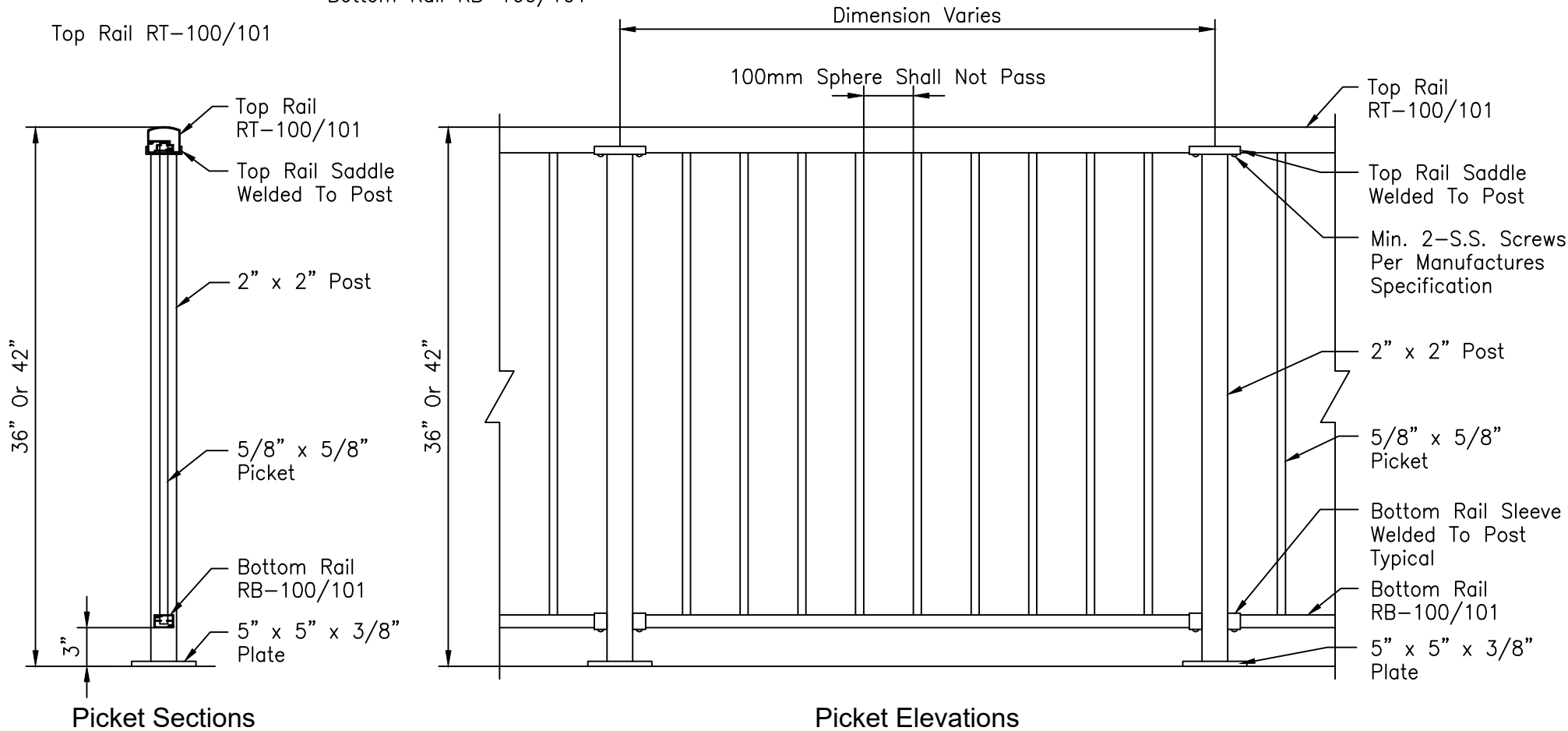
File: EastWest\S.T.A.R.\Star System\2018\Star System Rail July 6 2018.Dwg



Top Rail RT-100/101



Bottom Rail RB-100/101



Picket Sections

Picket Elevations

Title:	CLASSIC STYLE
	36" OR 42" High Picket

Drawing No.	SS101
Drawn By:	KK
Checked By:	

Scale:	1"=1'-0"
Date:	July 20, 2022
Revision:	

S.T.A.R. SYSTEM INTERNATIONAL LTD.
ALUMINUM RAILING & FENCING

