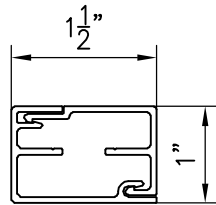
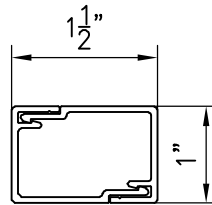


Top Rail RT-100/101



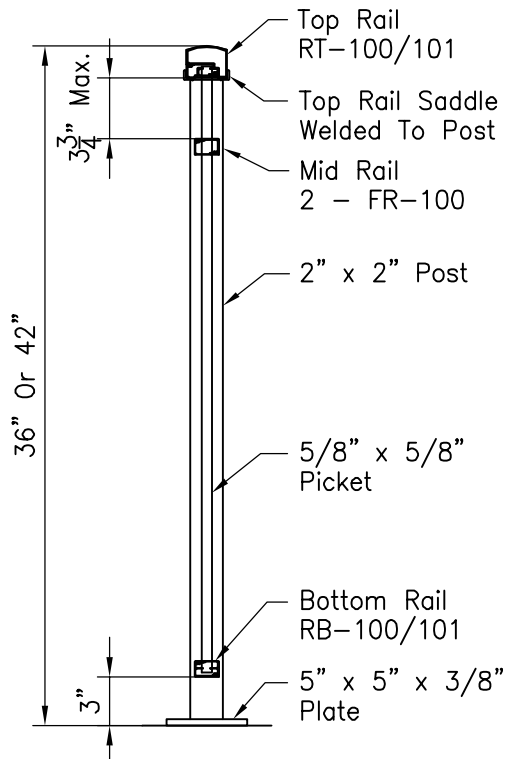
Bottom Rail RB-100/101



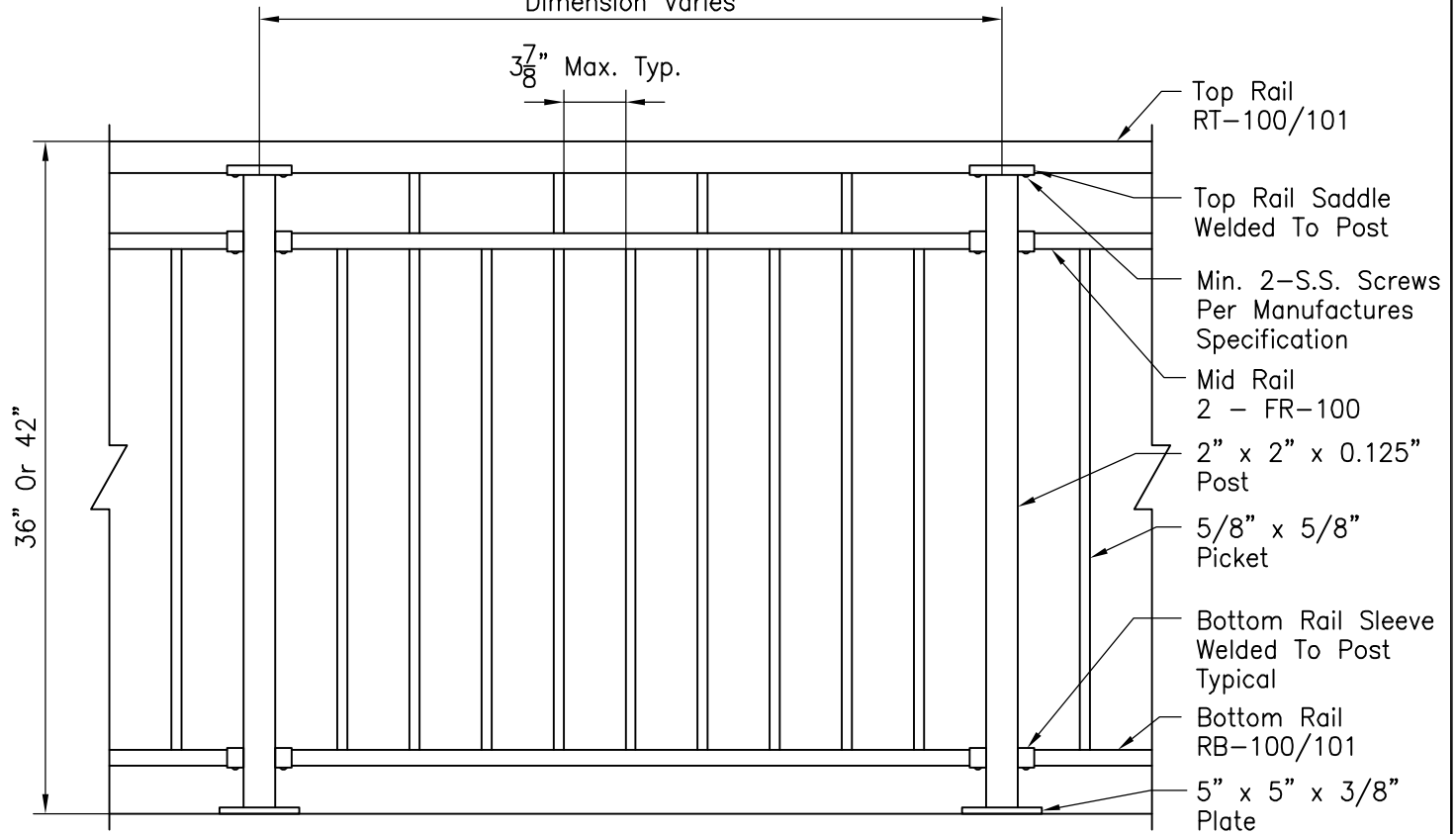
Mid Rail FR-100

Dimension Varies

$\frac{3}{8}$ " Max. Typ.



Picket Sections



Picket Elevations

Title:	CLASSIC STYLE BORDEAUX II
36" OR 42" High Picket	

Drawing No.	SS111	Scale:	1"=1'-0"
Drawn By:	KK	Date:	July 6, 2018
Checked By:		Revision:	

**S.T.A.R. SYSTEM INTERNATIONAL LTD.**  
ALUMINUM RAILING & FENCING

