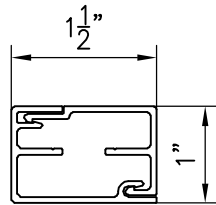
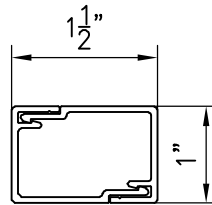


Top Rail RT-100/101



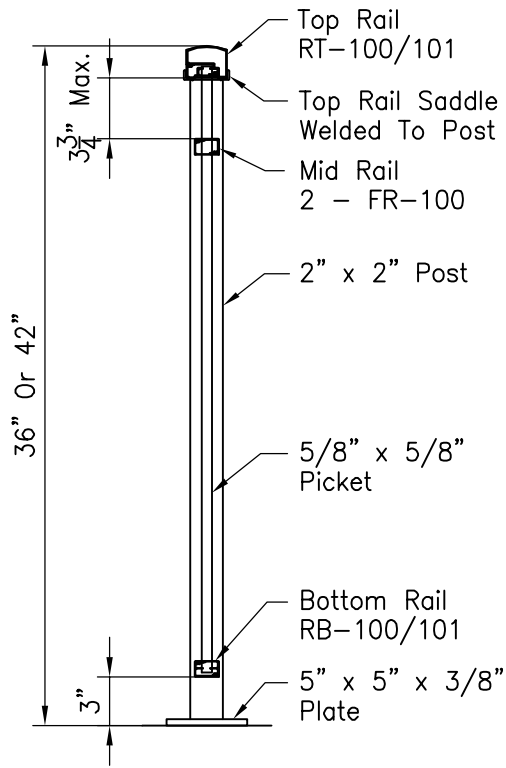
Bottom Rail RB-100/101



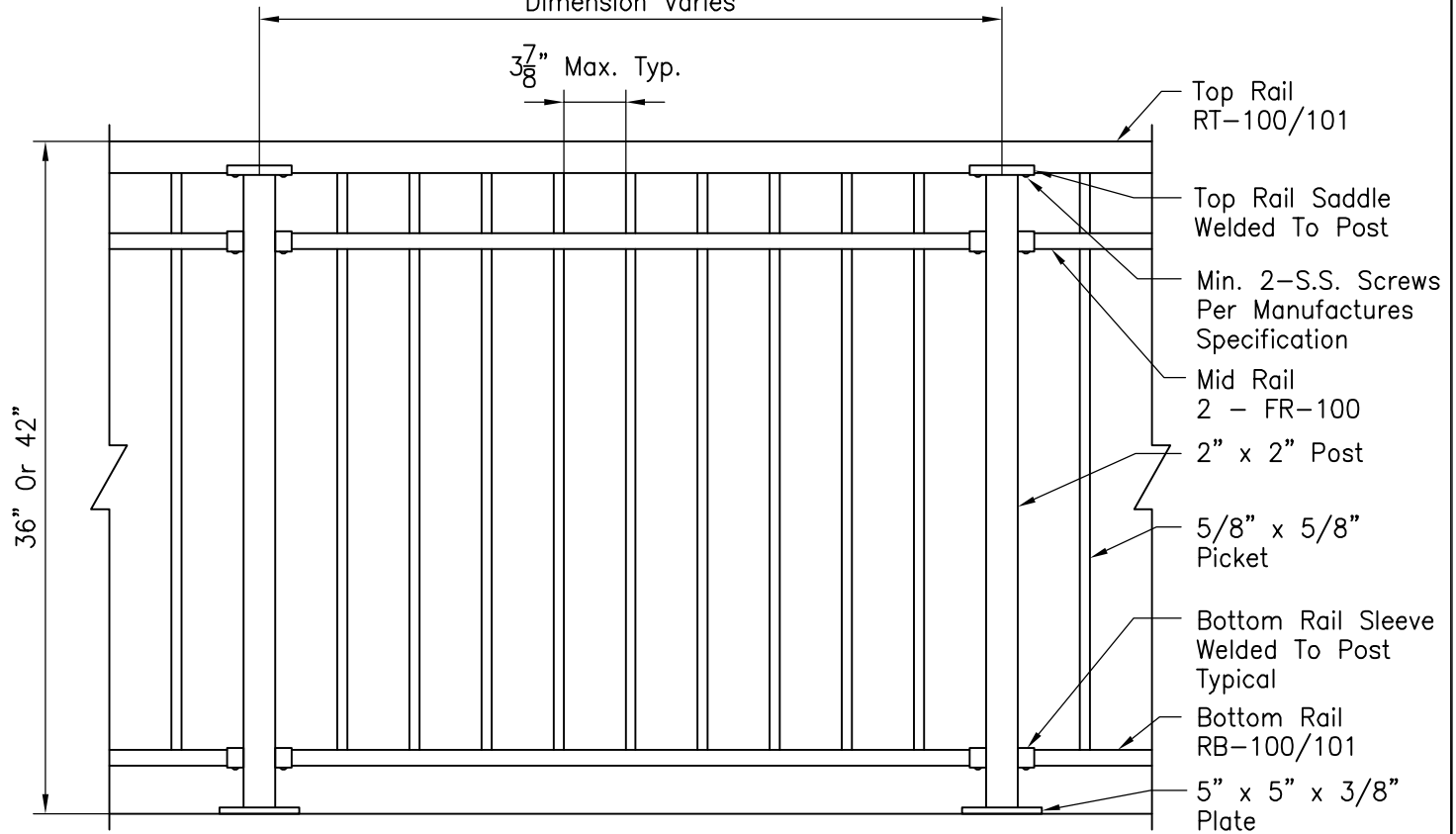
Mid Rail FR-100

Dimension Varies

$\frac{3}{8}$ " Max. Typ.



Picket Sections



Picket Elevations

Title:	CLASSIC STYLE BORDEAUX I
	36" OR 42" High Picket

Drawing No.	SS110	Scale:	1"=1'-0"
Drawn By:	KK	Date:	July 6, 2018
Checked By:		Revision:	

S.T.A.R. SYSTEM INTERNATIONAL LTD.
ALUMINUM RAILING & FENCING

