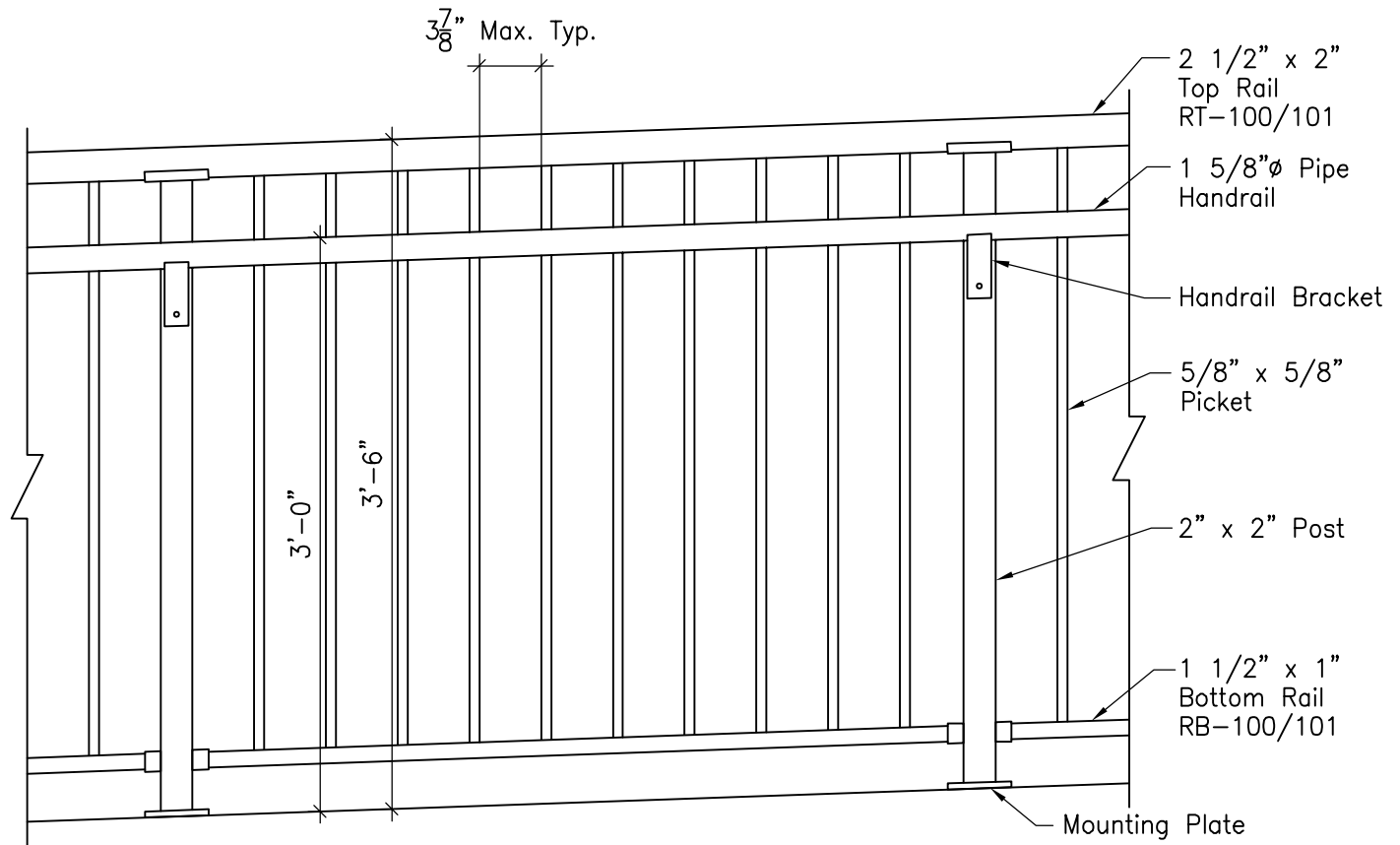



Picket Ramp Handrail Section



Picket Ramp Handrail Elevation

Project:	Drawing No.	Scale:	Seal	S.T.A.R. SYSTEM INTERNATIONAL LTD. ALUMINUM RAILING & FENCING 
		SK1		
Title:	Drawn By:	Date:		
	KK	July 31, 2018		
Picket Ramp Handrail Detail	Checked By:	Revision:		
				TEL: (604) 438-6261 FAX: (604) 438-4021 WEB SITE: www.starail.com