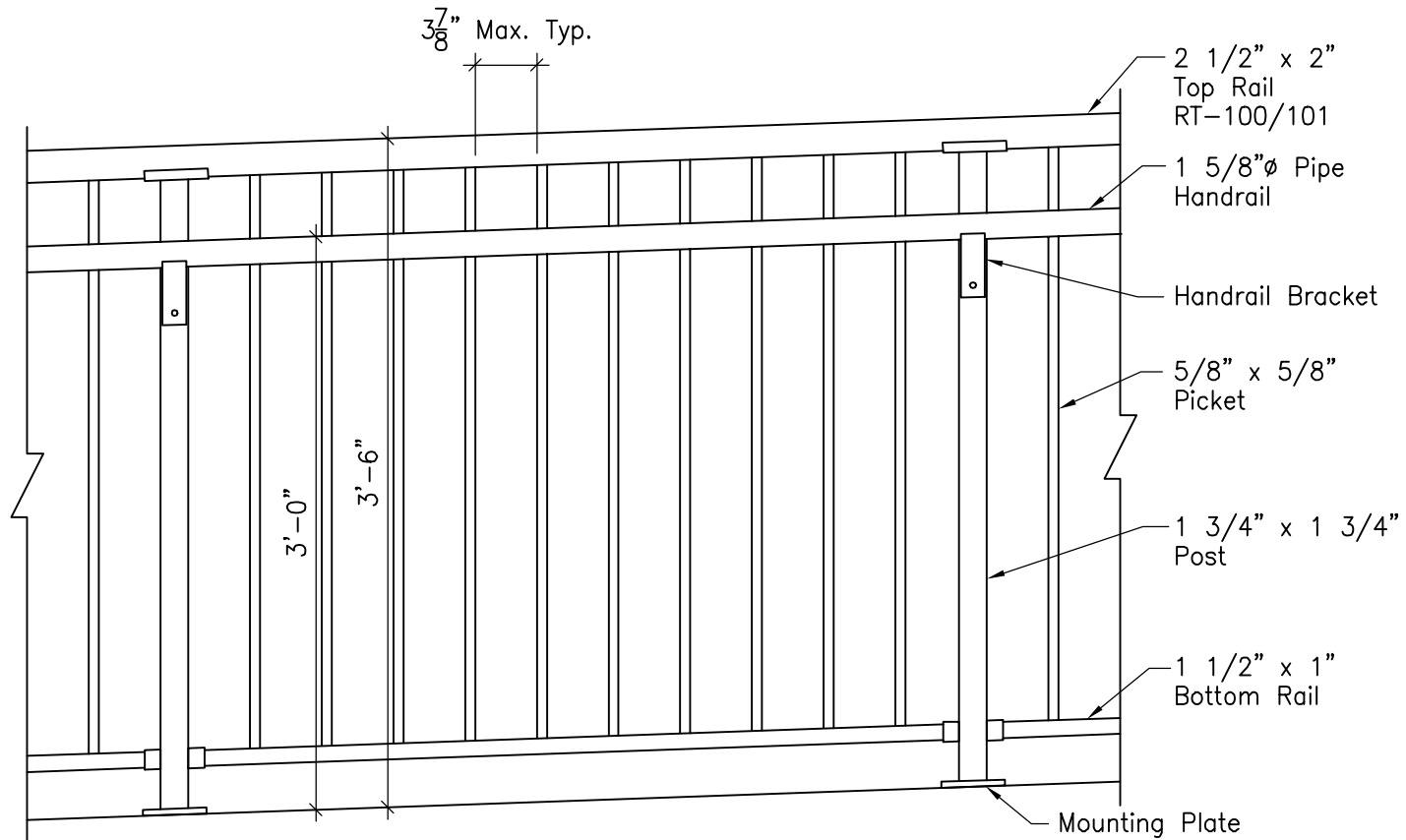



Picket Ramp Handrail Section



Picket Ramp Handrail Elevation

All Dimensions to be Site Confirmed

Project:	Drawing No.	Scale:	Seal	<b>S.T.A.R. SYSTEM INTERNATIONAL LTD.</b> ALUMINUM RAILING & FENCING
	SK1	1"=1'-0"		
	Drawn By:	Date:		
Title:	KK	June 14, 2011		
	Picket Ramp Handrail Detail	Checked By:		
				TEL: (604) 438-6261 FAX: (604) 438-4021 WEB SITE: www.starail.com